



PTZ Internal & External IP Dome Cameras

IndigoVision's PTZ Internal and External IP Dome cameras represent a major step forward in the development of IP-based video systems. The domes incorporate a high quality sensor, robust pan, tilt and zoom mechanisms and IndigoVision's world-leading MPEG-4 encoder technology.



PTZ Internal Wall Mount IP Dome Camera



PTZ Internal False Ceiling Mount IP Dome Camera



PTZ External Wall Mount IP Dome Camera

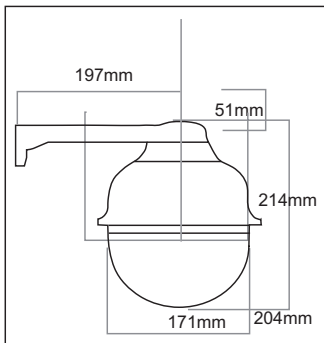
Camera Specification

Color (C) Col / mono (C/M)	C/M (indoor color only)	Video output	1 V p to p, 75ohms
Sensor	1/4" ExView HAD	Focus / iris	Auto / manual
Zoom - optical + digital	18x, 12x	Presets	360
Zoom - total	216x	Tours	4 (max 128 presets per tour)
Line resolution	460	Learned patrols	4 mimic tours - up to 30 minutes duration each
Pixels	752(H) x 582(V)	Remote reset	Via OSD, IP network
Horizontal view angle	2.8°(T) 48° (W)	Dynamic privacy zones	Up to 32 with 8 present on screen simultaneously
Lens size	4.1 - 73.8 mm	Preset status information	Y
ExView technology	Y	Variable pan speed/coverage	0.1 - 400°/sec, 360° continuous rotation, absolute positioning
Min sensitivity - color	0.7 Lux	Variable tilt speed	0.1 - 200°/sec, absolute positioning
Min sensitivity - color int	0.05 Lux (outdoor only)	Tilt coverage	+/- 90°
Min sensitivity - mono int	0.01 Lux (outdoor only)	eAuto homing	Goes to preset, tour or mimic tour after prescribed time (menu)
Signal/noise ratio	>50 dB	Col/mon changeover	3 levels - menu setup (outdoor only)
Picture freeze	Y	Operating temperature	Internal Dome 0 to 50°C External Dome -20 to 50°C
Power	24V AC/DC 36VA fuse dome, 1.5A fuse	Mounting options	Wall, ceiling and false ceiling
Video	1Vp-p, 75ohm (PAL or NTSC depending on model) Note: Video output is for debug/installation only	Network Connections	IEEE 802.3 and IETF standards: 10/100 Base-T Ethernet, TCP, UDP, ICMP & IGMP; Physical connection via RJ-45
Video Compression	Full frame rate, full color: MPEG-4 (ISO 14496-2); 25/30fps guaranteed	Console Input/Output	<ul style="list-style-type: none"> EIA-574 RS232 only Maximum Baud Rate 115.2 Kbps Console Settings 115200, 8bits, 1 Stop Bit, No Parity
Time	Embedded real-time clock; NTP client	Multi-streaming	SIF:3 streams; 2SIF:2 streams; 4SIF:1 stream
Resolution	SIF: 352 x 288 pixels (PAL); 352 x 240 pixels (NTSC) 2SIF: 704 x 288 pixels (PAL); 704 x 240 pixels (NTSC) 4SIF: 704 x 576 pixels (PAL); 704 x 480 pixels (NTSC)		

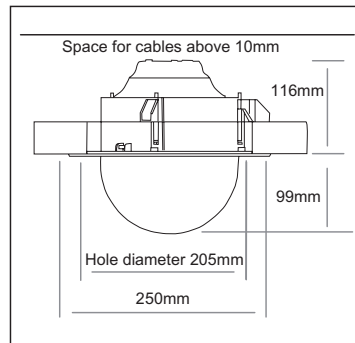
Physical Specification

Weight	<p>The following unit weights include PSU, Acrylic and Codec. They do not include packaging:</p> <ul style="list-style-type: none"> • PTZ Internal Wall Mount IP Dome Camera: 2.15 Kg • PTZ Internal Pendant Mount IP Dome Camera: 1.98 Kg • PTZ Internal False Ceiling Mount IP Dome Camera: 2.15 Kg • PTZ External Wall Mount IP Dome Camera Kit: 4.50 Kg • PTZ External Swan Neck IP Dome Camera Kit: 4.45 Kg
Power	<p>Current consumption for PTZ Internal or External IP Dome Cameras, including CODEC but not including heater:</p> <ul style="list-style-type: none"> • Dome supply 24vac or 24vdc. Typical 500mA. Maximum 600mA • Current consumption for heater (fitted to PTZ External IP Dome Cameras): <ul style="list-style-type: none"> • Inrush current: Typical 1A, Maximum 2A (using 24vac or 24vdc) • Normal operation: Less than 0.4A
Environment	<p>Operating temperature:</p> <ul style="list-style-type: none"> • PTZ Internal IP Dome Camera : 0°C (32°F) to + 50°C (122°F) (158°F) • PTZ External IP Dome Camera: -20°C (-4°F) to + 50°C (122°F) • PTZ External IP Dome Camera housing is IP65 rated • PTZ External IP Dome Camera storage temperature -20°C (-4°F) to + 70°C
Regulatory	<ul style="list-style-type: none"> • EN 55022(1994) ITE emission standard Class A • EN 61000-3-2(1995) mains harmonics Class A • EN 55024(1998) ITE immunity standard • EN 61000-3-3(1995) voltage fluctuation • CFR47(1995) Part 15 subpart B • Class A (US federal code of regulations)

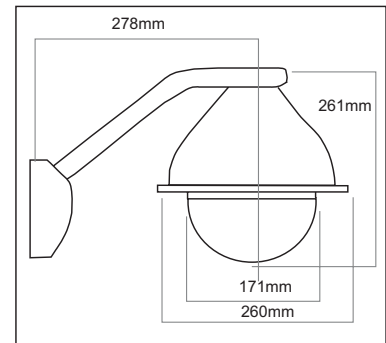
Dimensions



PTZ Internal Wall Mount IP Dome Camera



PTZ Internal False Ceiling Mount IP Dome Camera



PTZ External Wall Mount IP Dome Camera